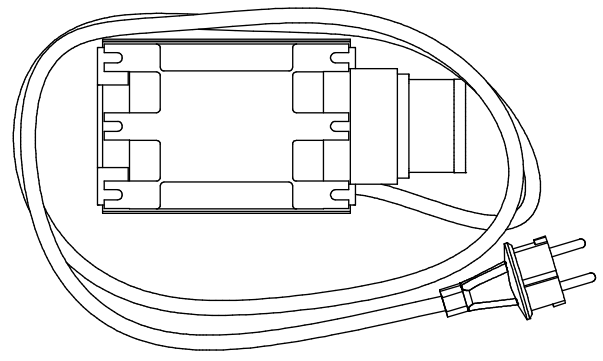
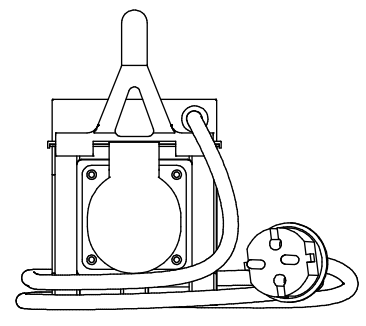
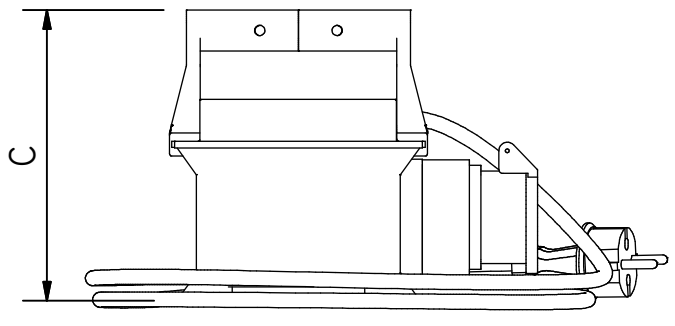
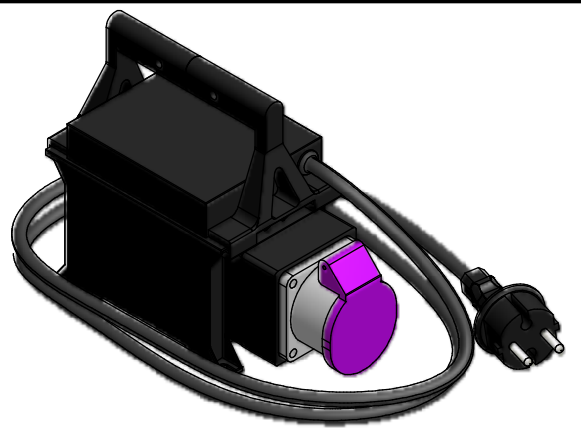
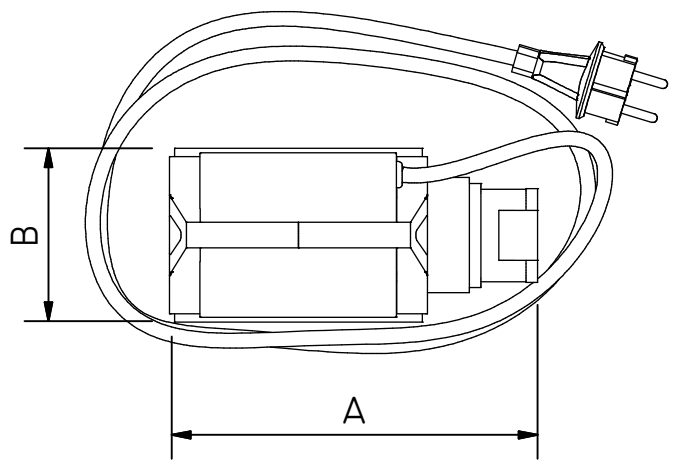


Copyright (c) by electrotechnische industrie ETI b.v.. No part of this drawing may be reproduced or distributed in any form or by any means or stored in a database or retrieval system, without the prior written permission of ETI b.v..



MODEL		A	B	C	MASS (KG)
HHI34	HH234	210	93	155	3,7
HHI36	HH236	210	93	155	4,3

ITEM	QTY	PART NO	DESCRIPTION	MATERIAL	REMARKS
PROJ AM			SCALE :	DRW : H. TE KRONNIE	REMARKS :
A			UNITS : MM		
			DATE : 08-01-2010	PART NO :	
		DESCRIPTION :		SHEET:   OF:	DWG NO :
		<b>DIMENSIONS HH.3.</b>		REV :	HH.3..IDW
					FORMAT : <b>A4</b>