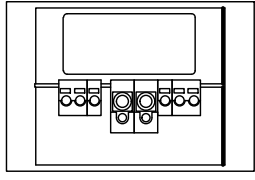
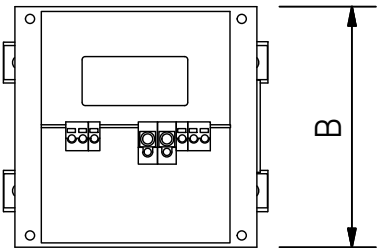
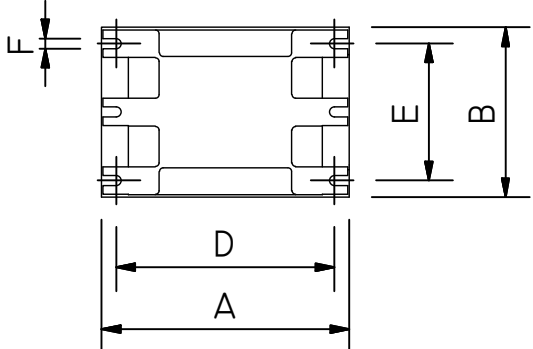
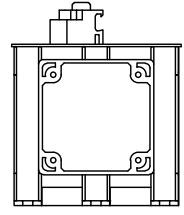
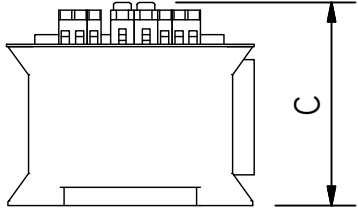
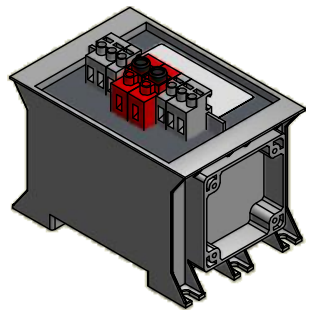


Copyright (c) by electrotechnische industrie ETI b.v.. No part of this drawing may be reproduced or distributed in any form or by any means or stored in a database or retrieval system, without the prior written permission of ETI b.v..



50 99897 (50VA)



50 99898 (150VA)
50 99899 (300VA)
50 80085 (400VA)

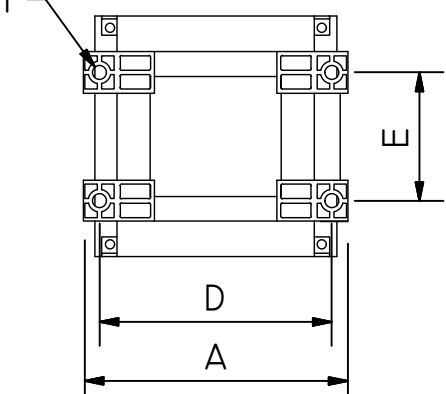
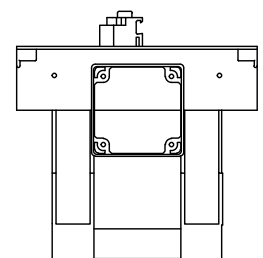
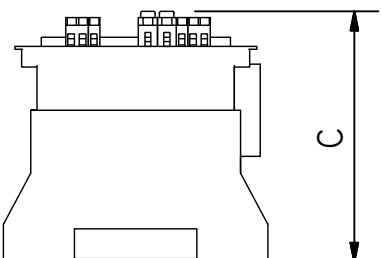
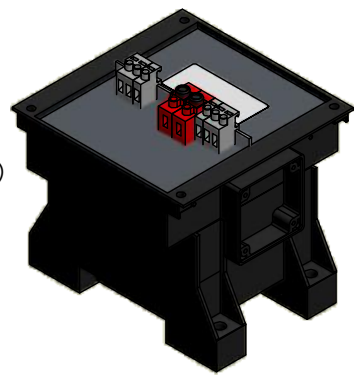


TABLE							
MODEL	A	B	C	D	E	F	MASS (KG)
50 99897	131	88	107	115	72,5	5	1,92
50 99898	175	160	170	150	84	9	5,57
50 99899	175	160	170	150	84	9	5,57
50 80085	175	160	170	150	84	9	5,57

ITEM	QTY	PART NO	DESCRIPTION	MATERIAL	REMARKS
PROJ AM		SCALE :		DRW : HTK	
A		UNITS : MM		REMARKS :	
		DATE : 2011-06-22		PART NO :	
		DESCRIPTION :		SHEET: OF:	
		DIMENSIONS LED2		REV : 2	
				DWG NO : LED2.IDW	
				FORMAT : A4	