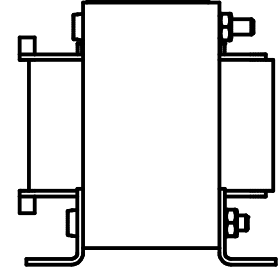
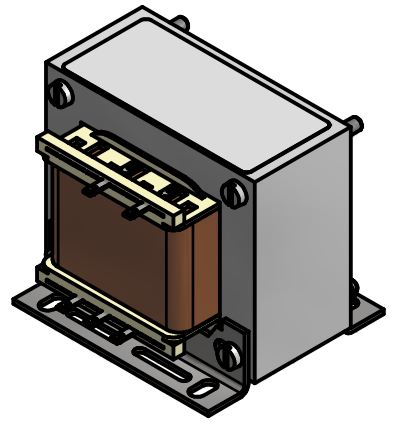
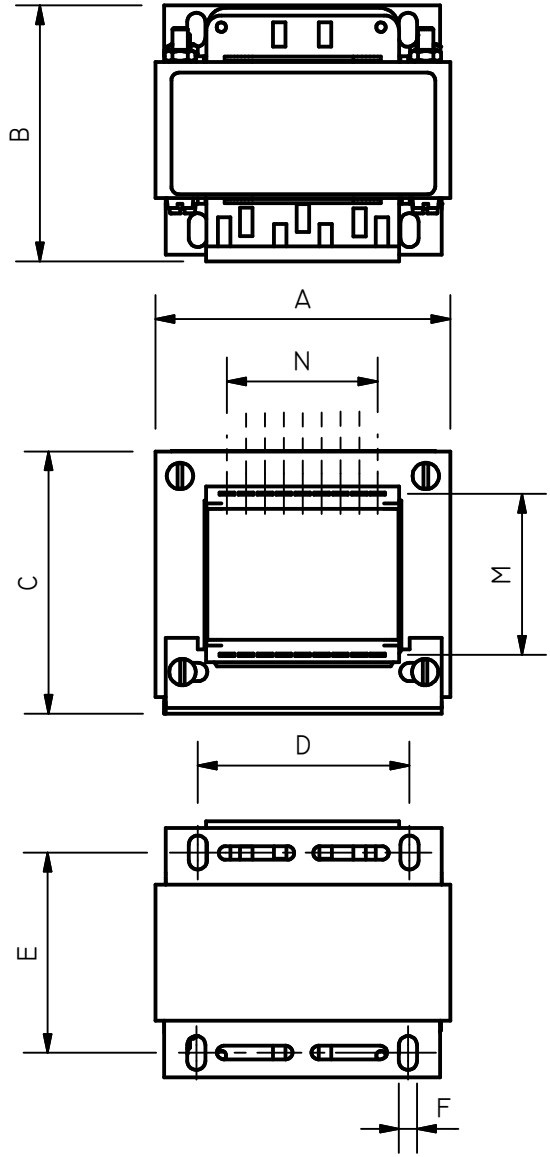


Copyright (c) by electrotechnische industrie ETI b.v.. No part of this drawing may be reproduced or distributed in any form or by any means or stored in a database or retrieval system, without the prior written permission of ETI b.v..



MODEL 1KAMER	MODEL 2KAMER	A	B	C	D	E	F	M	N	MASSA (KG)
AL116	AL216	60	47	55	44	36	3,5	32,5	6X5	0,45
AL118	---	60	57	55	44	46	3,5	32,5	6X5	0,65
AL123	---	78	58	70	56	45	4,5	42,5	8X5	1,00
AL125	AL225	78	67	70	56	54	4,5	42,5	8X5	1,27
AL126	AL226	78	71	70	56	58	4,5	42,5	8X5	1,40
AL134	AL234	96	76	86	84	60	5,5	57,5	11X5	2,00
AL136	AL236	96	86	86	84	70	5,5	57,5	11X5	2,55
AL137	AL237	96	100	86	84	84	5,5	57,5	11X5	3,05

ITEM	QTY	PART NO	DESCRIPTION	MATERIAL	REMARKS
PROJ AM		SCALE :		DRW : HTK	
UNITS : MM		DATE : 22-04-2015		PART NO :	
DESCRIPTION :		SHEET: OF:		DWG NO :	
Aalten-NL		DIMENSIONS AL...		AL....IDW	
REV :		FORMAT :		A4	