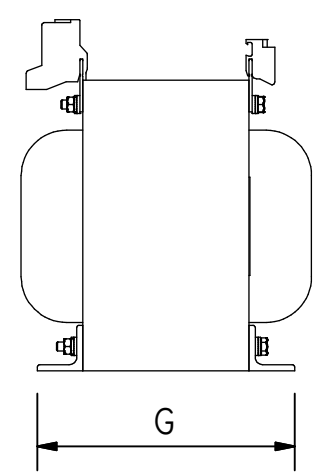
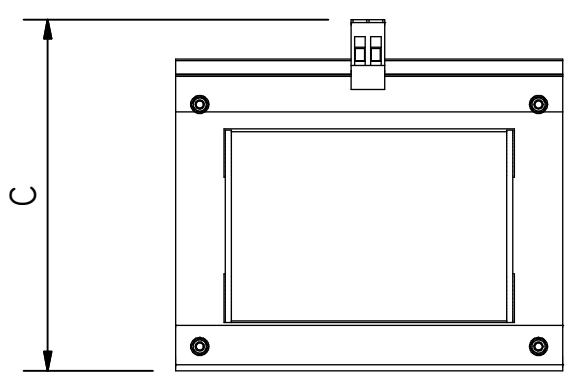
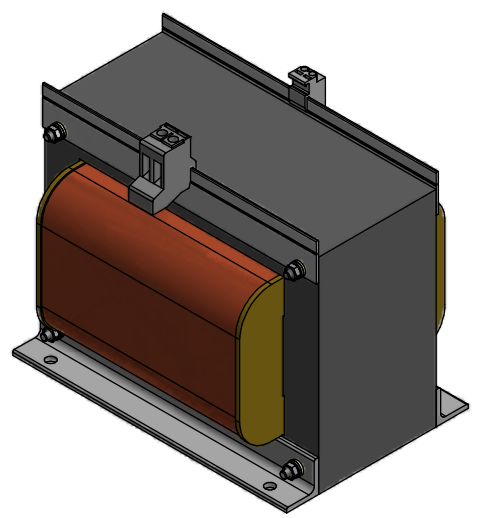
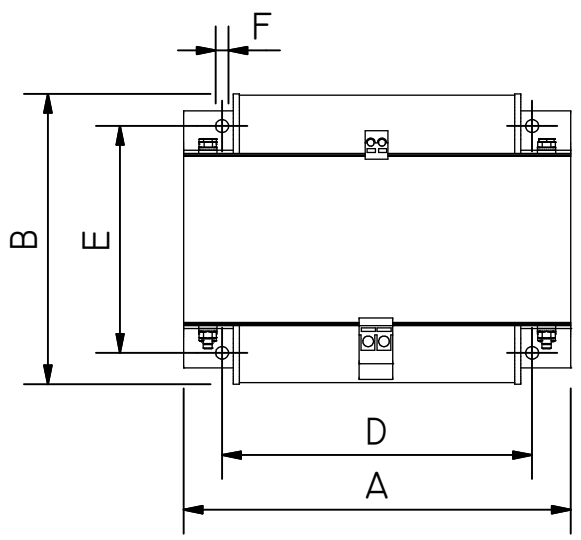



Copyright (c) by electrotechnische industrie ETI b.v.. No part of this drawing may be reproduced or distributed in any form or by any means or stored in a database or retrieval system, without the prior written permission of ETI b.v..



MODEL	A	B	C	D	E	F	G	MASSA (KG)
CR167	192	140	196	160	103	6,5	120	16,5
CR168	192	155	196	160	107	6,5	124	17,6
CR169	192	160	196	160	119	6,5	136	20
CR170	192	180	196	160	137	6,5	154	23
CR171	192	195	196	160	147	6,5	164	25,2
CR172	192	205	196	160	157	6,5	174	27
CR173	240	221	232	200	191	12	220	40
CR190	256	210	232	205	115	8,5	135	30
CR191	256	230	232	205	135	8,5	155	36
CR192	256	245	232	205	150	8,5	170	41
CR193	256	255	232	205	160	8,5	180	44
CR267	192	140	196	160	103	6,5	120	16,5
CR268	192	155	196	160	107	6,5	124	17,6
CR269	192	160	196	160	119	6,5	136	20
CR270	192	180	196	160	137	6,5	154	23
CR271	192	195	196	160	147	6,5	164	25,2

ITEM	QTY	PART NO	DESCRIPTION	MATERIAL	REMARKS
PROJ AM		SCALE :		DRW : HTK	
A		UNITS : MM		REMARKS :	
		DATE : 9-4-2013		PART NO :	
 Aalten-NL		DESCRIPTION :		SHEET: OF:	
		DIMENSIONS CR...		REV : 2	
				DWG NO : CR....IDW	
				FORMAT : A4	