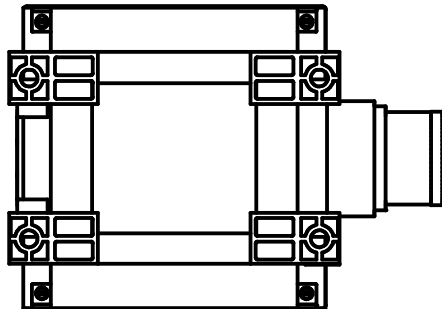
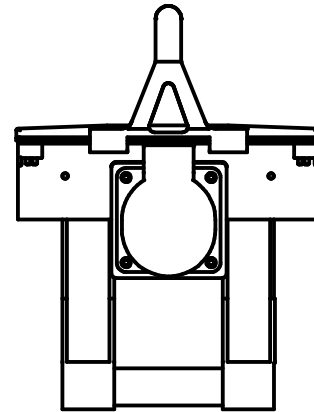
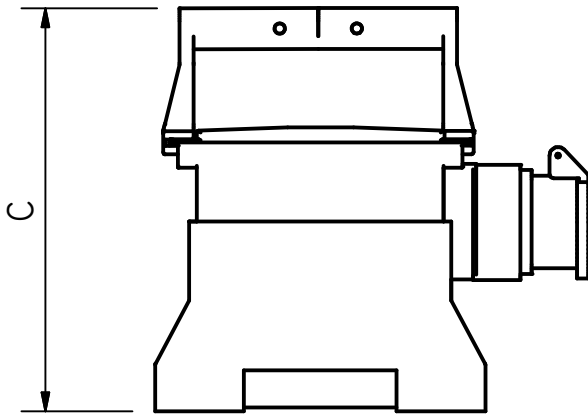
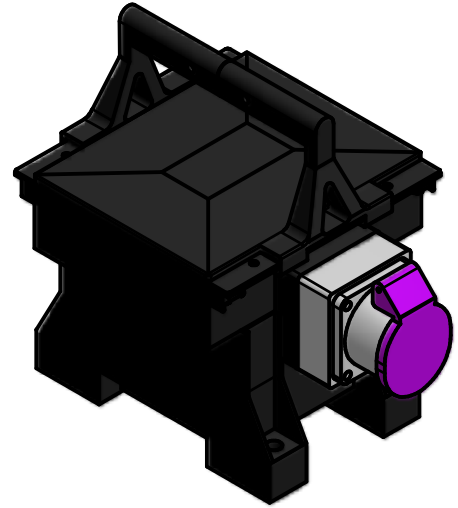
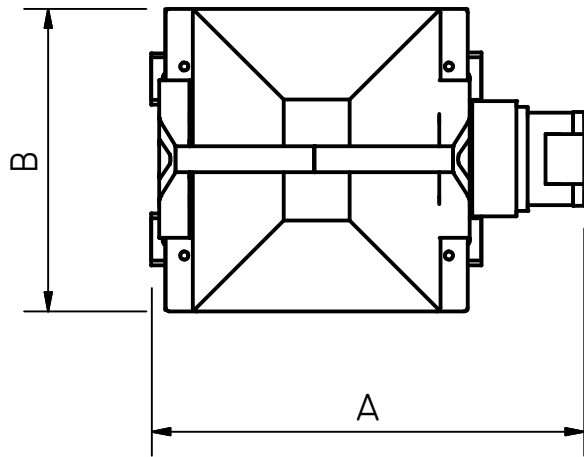


Copyright (c) by electrotechnische industrie ETI b.v.. No part of this drawing may be reproduced or distributed in any form or by any means or stored in a database or retrieval system, without the prior written permission of ETI b.v..



MODEL		A	B	C	MASS (KG)
HHI43	HH243	245	160	215	6
HHI45	HH245	245	160	215	6,8
HHI48	HH248	245	160	215	8,2

ITEM	QTY	PART NO	DESCRIPTION	MATERIAL	REMARKS
PROJ AM			SCALE :	DRW : H. TE KRONNIE	REMARKS :
A			UNITS : MM		
			DATE : 08-01-2010	PART NO :	
 Aalten-NL		DESCRIPTION : DIMENSIONS HH.4.		SHEET: OF: REV :	DWG NO : HH.4..IDW
					FORMAT : A4